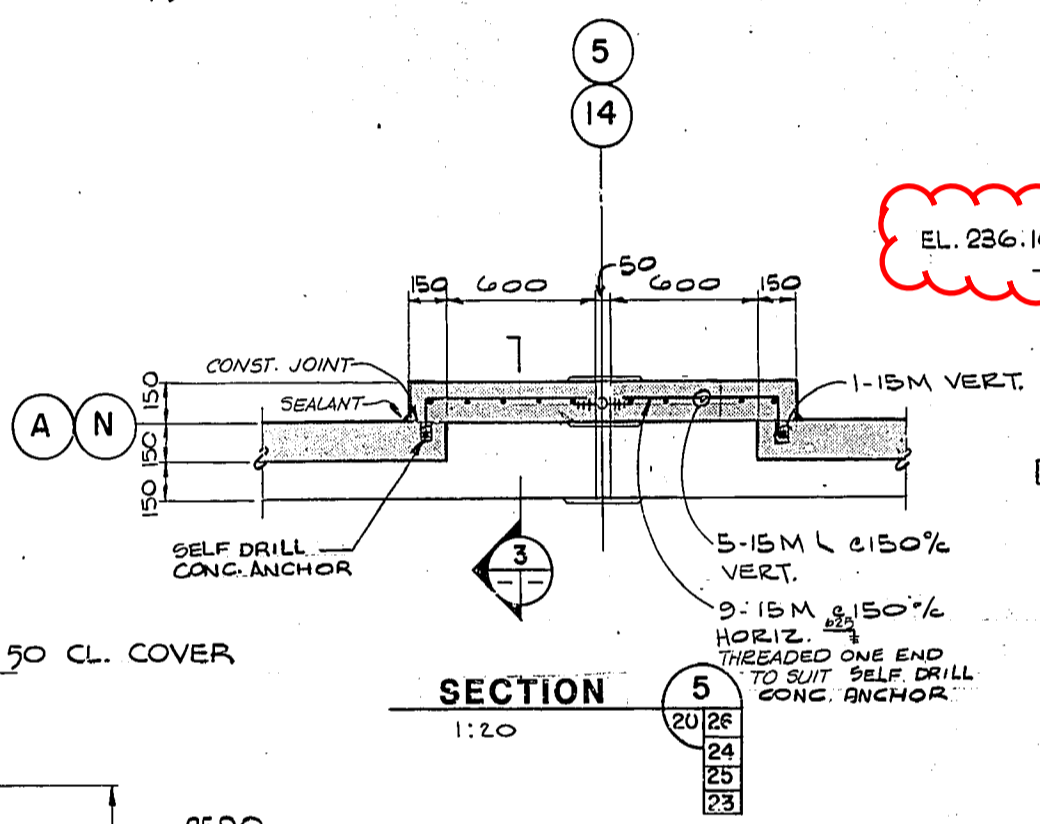
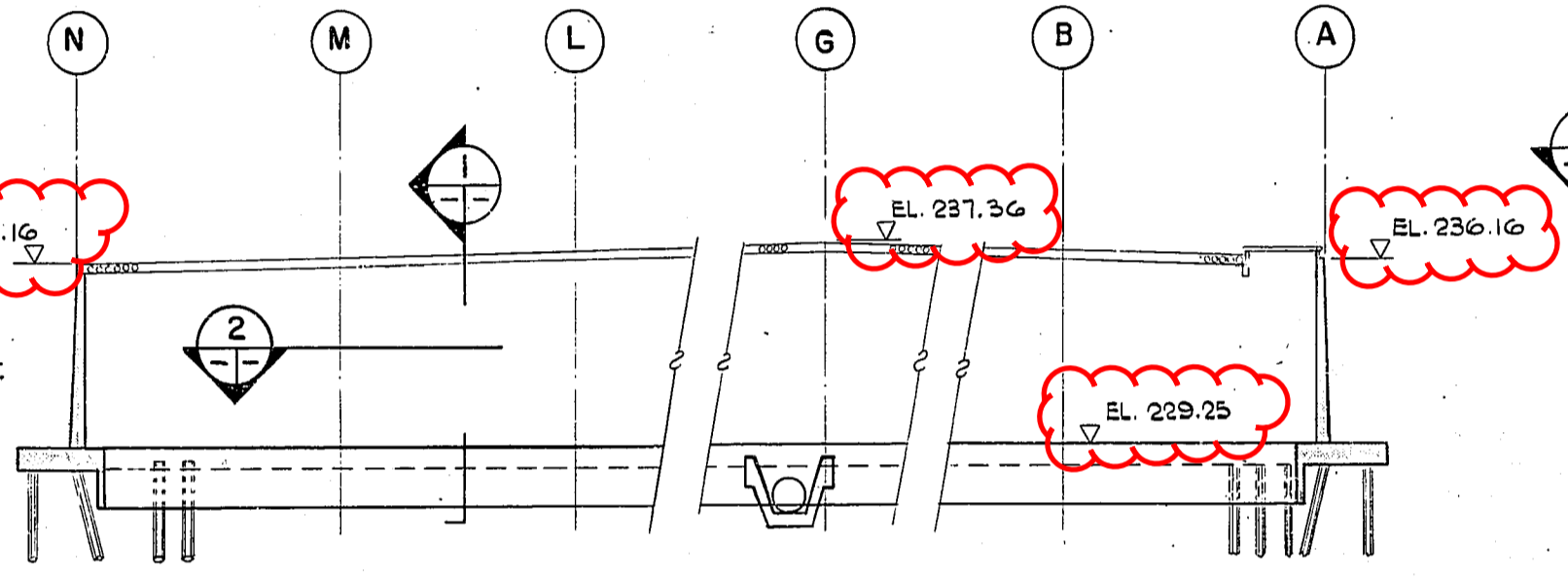


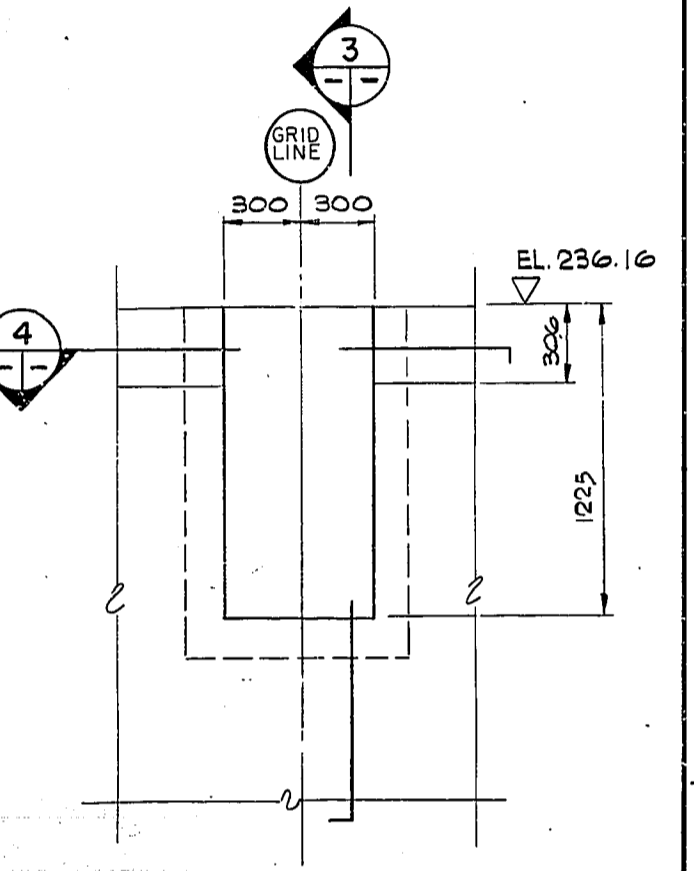
ELEVATION WALL LINE A
1:200



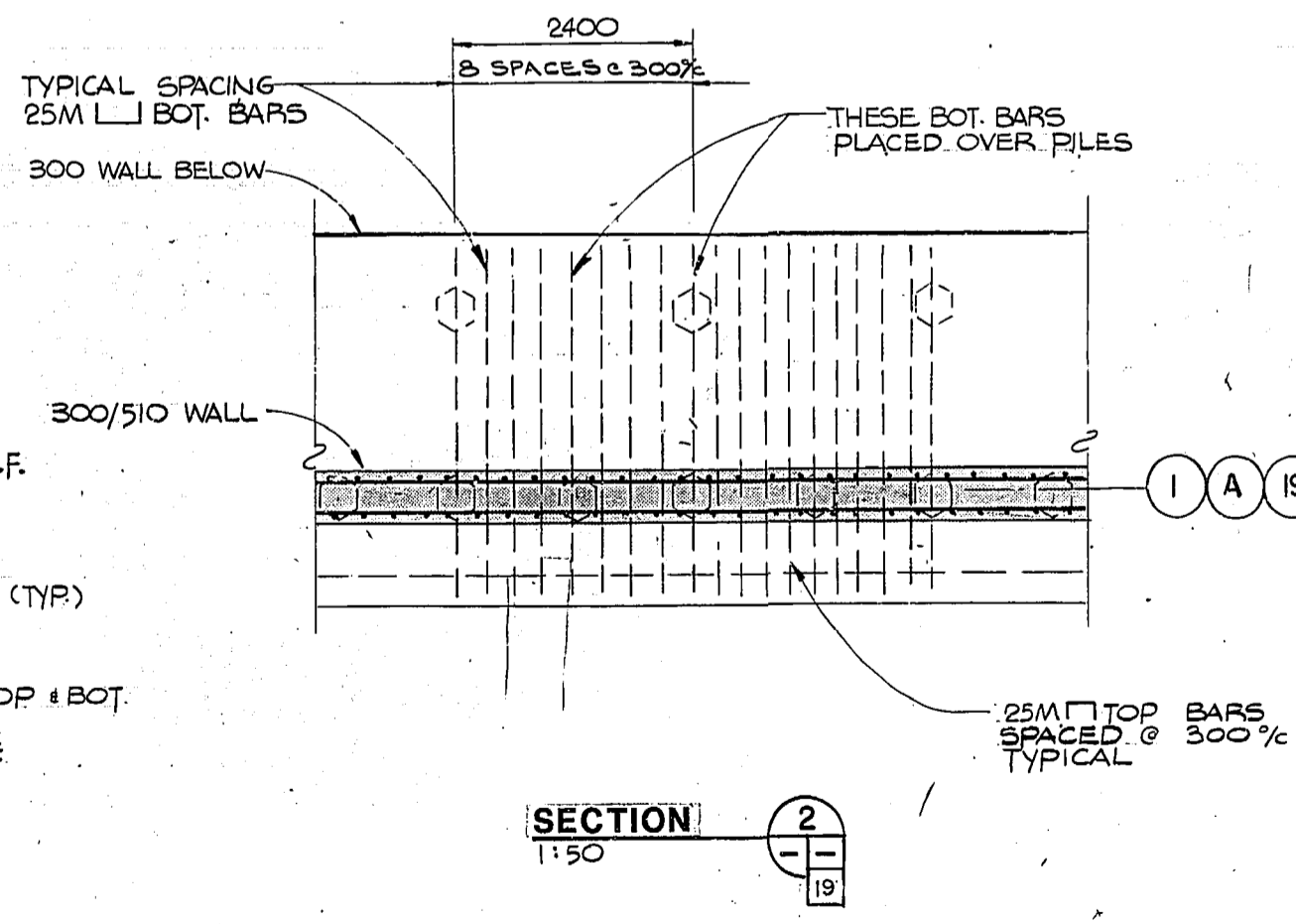
SECTION 5
1:20



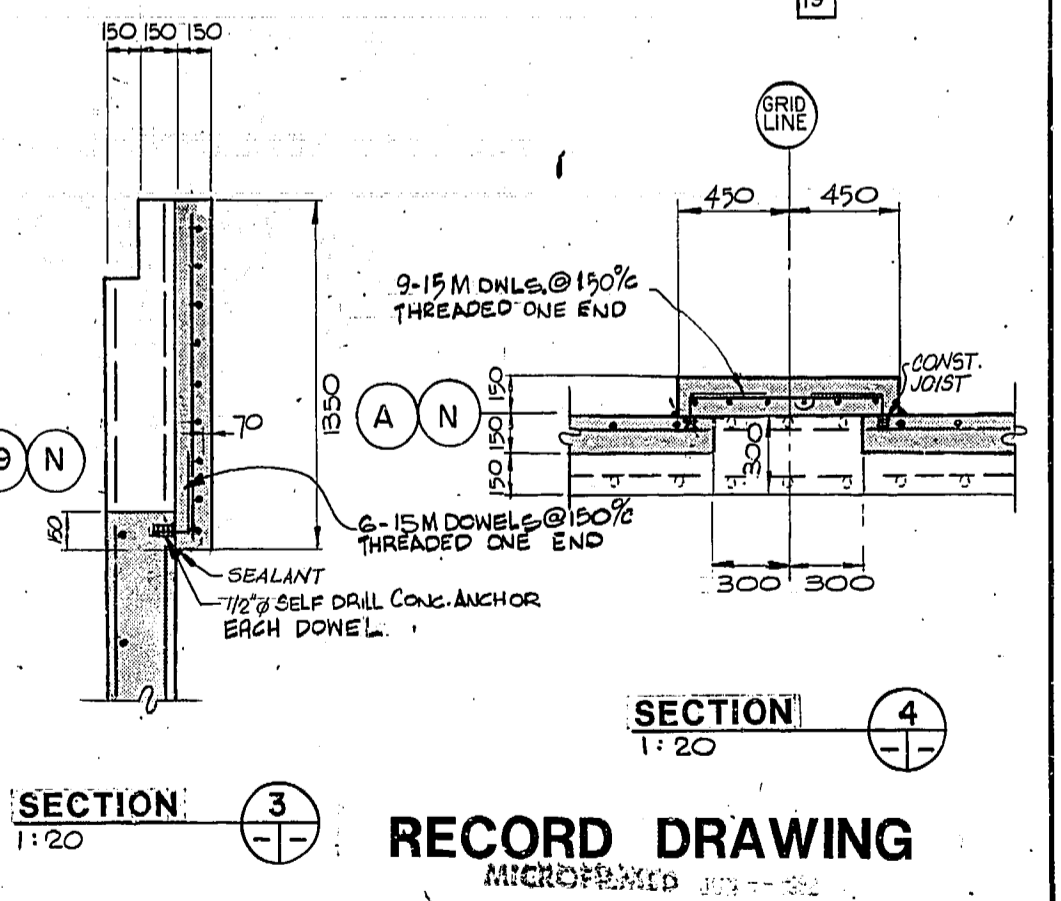
ELEVATION WALL LINE 19 SIMILAR (OPP. HAND)
ELEVATION WALL LINE 1
1:200



TYPICAL AT EACH BEAM SUPPORT
DETAIL A
1:20



SECTION 2
1:50



SECTION 3
1:20

METRIC NOTES
WHOLE NUMBERS IND. MILLIMETRES
DECIMALIZED EXPRESSIONS IND. METRES



NO.	REVISIONS	DATE	APP.
4	RECORD DRAWING	NOV 14/80	EEL
3	CONST. RECORD CHANGES	AUG 18/81	EEL
2	APPENDIXUM 2	APR 22/80	on
1	WALL LINE 'N' REVISED	APR 21/80	on



Underwood McLellan Ltd. Consulting Engineers and Planners	
DESIGNED BY: H.T.H.	DRAWN BY: T.H.
CHECKED BY: [Signature]	DATE: MARCH 20, 1980
APPROVED BY: [Signature]	DATE: 20/3/80

THE CITY OF WINNIPEG
WORKS & OPERATIONS
DEPARTMENT
WATERWORKS, WASTE & DISPOSAL DIVISION

WILKES AVENUE RESERVOIR RECONSTRUCTION
WALL - LINES 1, 19, AND A
RELEASED FOR CONSTRUCTION: [Signature] DATE: 20/03/80
SCALE: AS NOTED
DRAWING NO: **WIL-20**
REV. 4

RECORD DRAWING
MICROFILMED